





GLAD FURNITURE  
LIMITED EDITION  
BY GUY LAFRANCHI

ELEGANCE INDIVIDUALITY PRECISION

“GLAD LIMITED EDITION” BY GUY LAFRANCHI IS EXCLUSIVELY MANUFACTURED  
IN COLLABORATION WITH SWISS PRECISION HANDCRAFT COMPANIES.


EACH YEAR GUY LAFRANCHI AND HIS TEAM DESIGNS LIMITED EDITIONS  
OF OBJECTS REFERRING TO A SPECIFIC TOPIC.

2010 “SIDE AMBIANCE”

A VARIATION OF SIDEBOARDS AND A COFFEE TABLE WILL ENRICH YOUR  
SPACE WITH ELEGANCE AND EMOTION, FROM YOUR ENTRANCE HALL, LIVING  
AND DINING ROOM TO YOUR HOTEL LOBBY AND OFFICE SPACE.

THE OBJECTS GL1A AND GL1B ARE EXPRESSING THE MATERIAL  
COMBINATION OF STARON® WITH COATED NUTWOOD.

THE PRODUCTION IS LIMITED TO 7 PIECE PER OBJECT  
EACH ITEM IS NUMBERED AND CERTIFIED



GL1A

GL1B

GL1D

GL1C



**GLAD FURNITURE  
LIMITED EDITION  
BY GUY LAFRANCHI**

ELEGANCE INDIVIDUALITY PRECISION

**STARON® SOLID SURFACES CONSIST OF NATURAL MINERALS BONDED BY ACRYLICS,  
AS DECORATIVE AS NATURAL STONE WITH THE BENEFITS OF A SOLID SURFACE.**

**RESISTANT AGAINST FLUIDS, DIRT, BACTERIA, MOULD, GERMS  
RESISTANT TO IMPACT, STAINS AND DISCOLOURATION  
IMPERMEABLE, SEAMLESS AND EXTREMELY HYGIENIC  
HOMOGENOUS ADHESIVE JOINS VIRTUALLY INVISIBLE  
EASY TO CLEAN AND MAINTAIN  
DURABLE AND LONG-LIVED  
NON-FLAMMABLE  
EASY TO REPAIR**

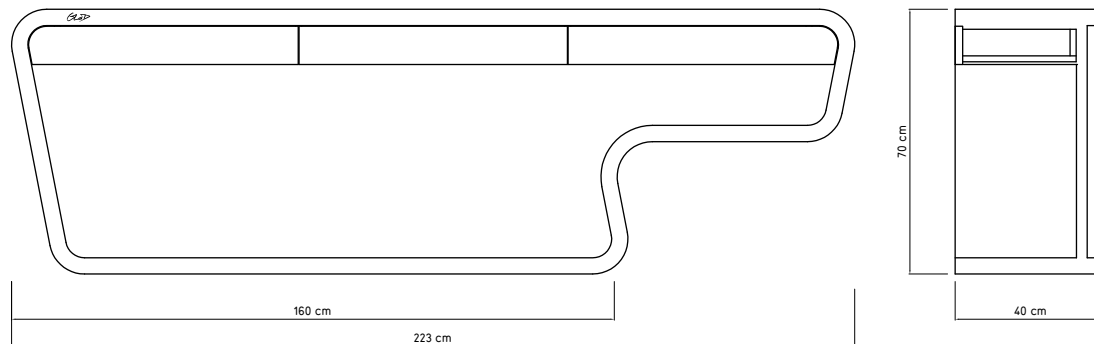


GL1A

GLAD FURNITURE  
LIMITED EDITION  
BY GUY LAFRANCHI

GLAD

ELEGANCE  
INDIVIDUALITY  
PRECISION



**STARON® SOLID SURFACES CONSIST OF NATURAL MINERALS BONDED BY ACRYLICS,  
AS DECORATIVE AS NATURAL STONE WITH THE BENEFITS OF A SOLID SURFACE.**

**RESISTANT AGAINST FLUIDS, DIRT, BACTERIA, MOULD, GERMS  
RESISTANT TO IMPACT, STAINS AND DISCOLOURATION  
IMPERMEABLE, SEAMLESS AND EXTREMELY HYGIENIC  
HOMOGENOUS ADHESIVE JOINS VIRTUALLY INVISIBLE  
EASY TO CLEAN AND MAINTAIN  
DURABLE AND LONG-LIVED  
NON-FLAMMABLE  
EASY TO REPAIR**

**GL1A\_1 TO GL1A\_7 PER Ex. 15'000.- SFR 10'235.- €**

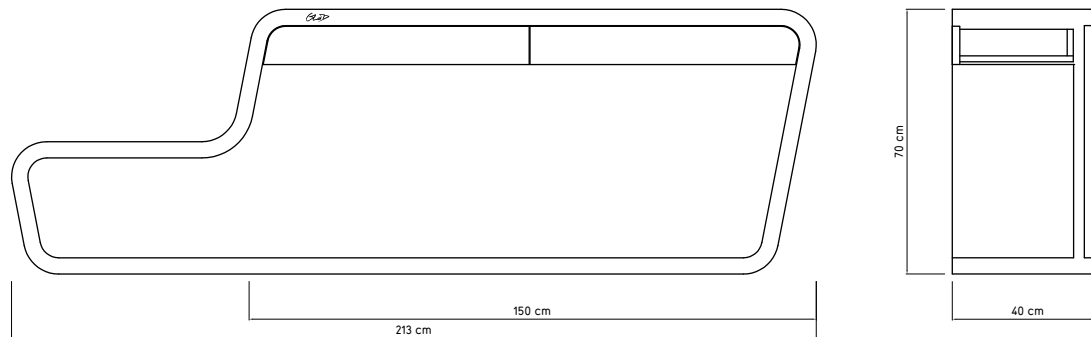


GL1B

GLAD FURNITURE  
LIMITED EDITION  
BY GUY LAFRANCHI

GLAD

ELEGANCE  
INDIVIDUALITY  
PRECISION



**STARON® SOLID SURFACES CONSIST OF NATURAL MINERALS BONDED BY ACRYLICS,  
AS DECORATIVE AS NATURAL STONE WITH THE BENEFITS OF A SOLID SURFACE.**

**RESISTANT AGAINST FLUIDS, DIRT, BACTERIA, MOULD, GERMS  
RESISTANT TO IMPACT, STAINS AND DISCOLOURATION  
IMPERMEABLE, SEAMLESS AND EXTREMELY HYGIENIC  
HOMOGENOUS ADHESIVE JOINS VIRTUALLY INVISIBLE  
EASY TO CLEAN AND MAINTAIN  
DURABLE AND LONG-LIVED  
NON-FLAMMABLE  
EASY TO REPAIR**

**GL1B\_1 TO GL1B\_7 PER Ex. 12'000.- SFR 8'185.- €**

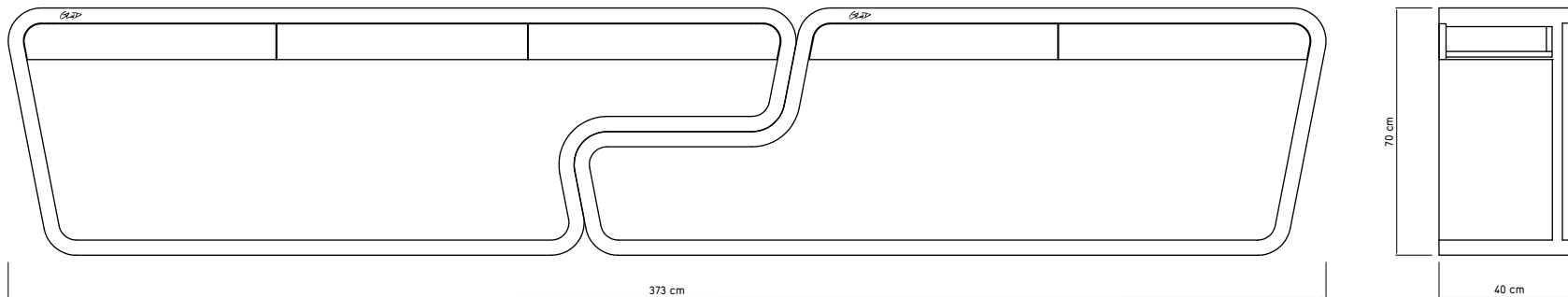


GL1A & GL1B

GLAD FURNITURE  
LIMITED EDITION  
BY GUY LAFRANCHI

GLAD

ELEGANCE  
INDIVIDUALITY  
PRECISION



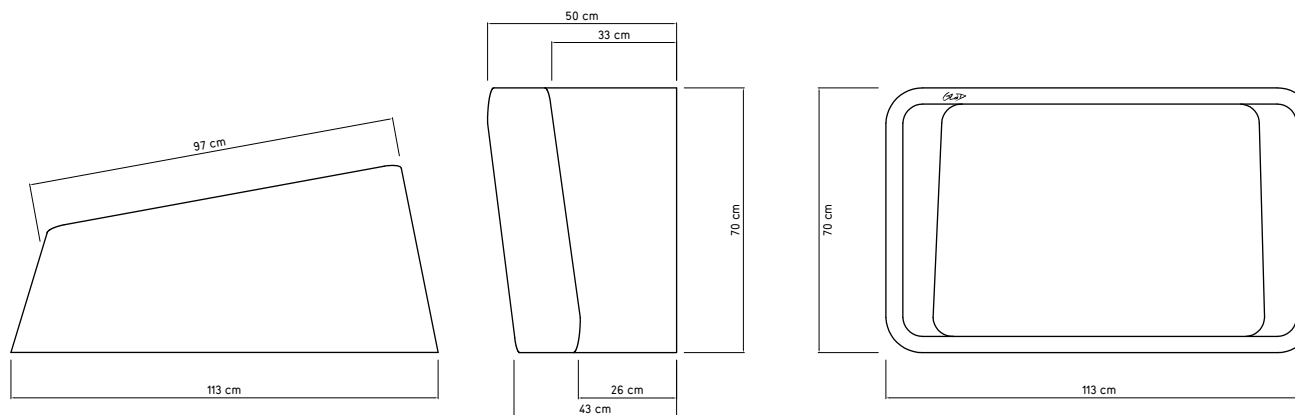
**STARON® SOLID SURFACES CONSIST OF NATURAL MINERALS BONDED BY ACRYLICS,  
AS DECORATIVE AS NATURAL STONE WITH THE BENEFITS OF A SOLID SURFACE.**

**RESISTANT AGAINST FLUIDS, DIRT, BACTERIA, MOULD, GERMS  
RESISTANT TO IMPACT, STAINS AND DISCOLOURATION  
IMPERMEABLE, SEAMLESS AND EXTREMELY HYGIENIC  
HOMOGENOUS ADHESIVE JOINS VIRTUALLY INVISIBLE  
EASY TO CLEAN AND MAINTAIN  
DURABLE AND LONG-LIVED  
NON-FLAMMABLE  
EASY TO REPAIR**

**GL1A\_1 TO GL1A\_7 PER EX. 15'000.- SFR 10'235.- €  
GL1B\_1 TO GL1B\_7 PER EX. 12'000.- SFR 8'185.- €**



GL1C



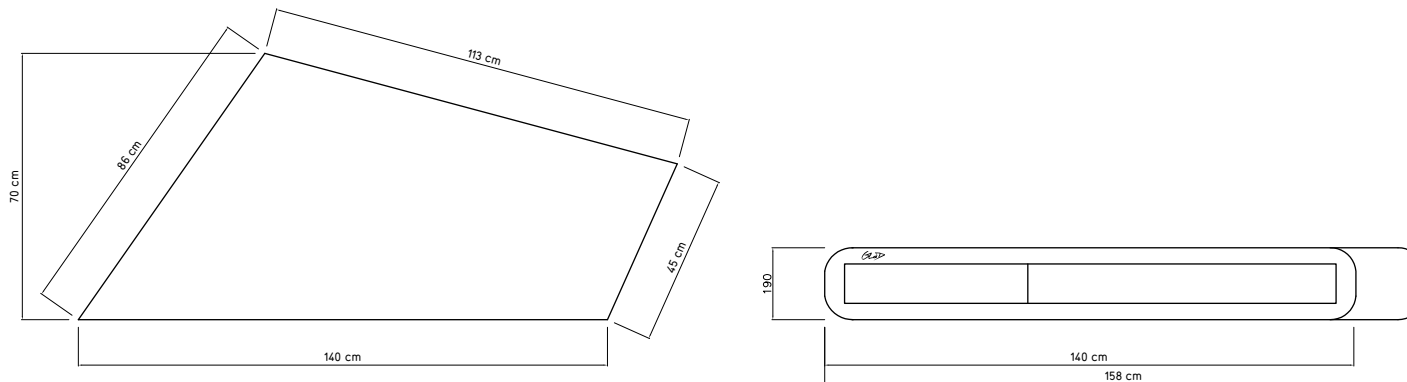
**STARON® SOLID SURFACES CONSIST OF NATURAL MINERALS BONDED BY ACRYLICS,  
AS DECORATIVE AS NATURAL STONE WITH THE BENEFITS OF A SOLID SURFACE.**

**RESISTANT AGAINST FLUIDS, DIRT, BACTERIA, MOULD, GERMS  
RESISTANT TO IMPACT, STAINS AND DISCOLOURATION  
IMPERMEABLE, SEAMLESS AND EXTREMELY HYGIENIC  
HOMOGENOUS ADHESIVE JOINS VIRTUALLY INVISIBLE  
EASY TO CLEAN AND MAINTAIN  
DURABLE AND LONG-LIVED  
NON-FLAMMABLE  
EASY TO REPAIR**

**GL1C\_1 TO GL1C\_7 PER EX. 8'700.- SFR 5'935.- €**



GL1D



**STARON® SOLID SURFACES CONSIST OF NATURAL MINERALS BONDED BY ACRYLICS,  
AS DECORATIVE AS NATURAL STONE WITH THE BENEFITS OF A SOLID SURFACE.**

**RESISTANT AGAINST FLUIDS, DIRT, BACTERIA, MOULD, GERMS  
RESISTANT TO IMPACT, STAINS AND DISCOLOURATION  
IMPERMEABLE, SEAMLESS AND EXTREMELY HYGIENIC  
HOMOGENOUS ADHESIVE JOINS VIRTUALLY INVISIBLE  
EASY TO CLEAN AND MAINTAIN  
DURABLE AND LONG-LIVED  
NON-FLAMMABLE  
EASY TO REPAIR**

**GLID\_1 TO GLID\_7 PER Ex. 7'000.- SFR 4'775.- €**



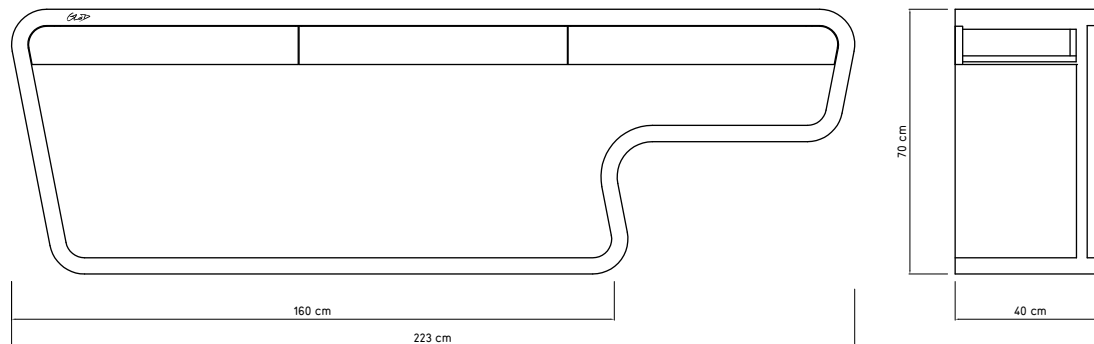
GLIA

GLIA

GLAD FURNITURE  
LIMITED EDITION  
BY GUY LAFRANCHI

GLAD

ELEGANCE  
INDIVIDUALITY  
PRECISION



**STARON® SOLID SURFACES CONSIST OF NATURAL MINERALS BONDED BY ACRYLICS,  
AS DECORATIVE AS NATURAL STONE WITH THE BENEFITS OF A SOLID SURFACE.**

**RESISTANT AGAINST FLUIDS, DIRT, BACTERIA, MOULD, GERMS  
RESISTANT TO IMPACT, STAINS AND DISCOLOURATION  
IMPERMEABLE, SEAMLESS AND EXTREMELY HYGIENIC  
HOMOGENOUS ADHESIVE JOINS VIRTUALLY INVISIBLE  
EASY TO CLEAN AND MAINTAIN  
DURABLE AND LONG-LIVED  
NON-FLAMMABLE  
EASY TO REPAIR**

**GL1A\_1 TO GL1A\_7 PER Ex. 15'000.- SFR 10'235.- €**

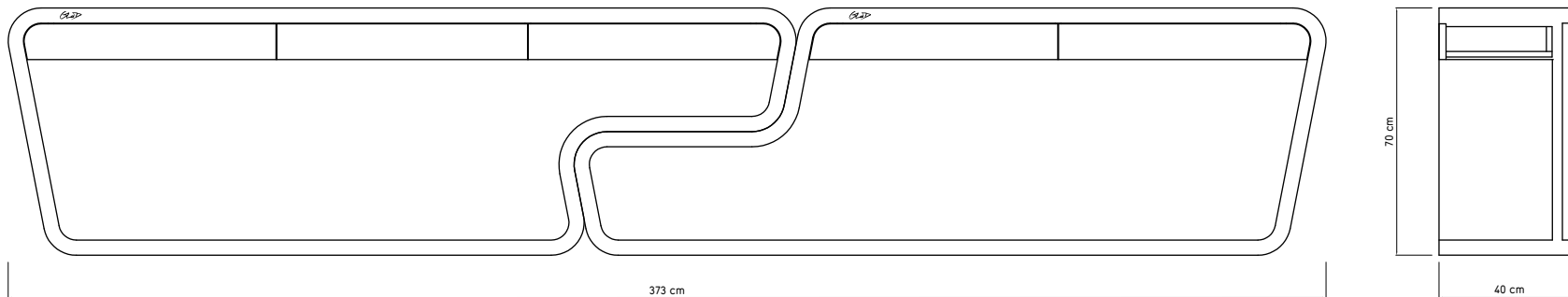


GL1A & GL1B

GLAD FURNITURE  
LIMITED EDITION  
BY GUY LAFRANCHI

GLAD

ELEGANCE  
INDIVIDUALITY  
PRECISION



**STARON® SOLID SURFACES CONSIST OF NATURAL MINERALS BONDED BY ACRYLICS,  
AS DECORATIVE AS NATURAL STONE WITH THE BENEFITS OF A SOLID SURFACE.**

**RESISTANT AGAINST FLUIDS, DIRT, BACTERIA, MOULD, GERMS  
RESISTANT TO IMPACT, STAINS AND DISCOLOURATION  
IMPERMEABLE, SEAMLESS AND EXTREMELY HYGIENIC  
HOMOGENOUS ADHESIVE JOINS VIRTUALLY INVISIBLE  
EASY TO CLEAN AND MAINTAIN  
DURABLE AND LONG-LIVED  
NON-FLAMMABLE  
EASY TO REPAIR**

**GL1A\_1 TO GL1A\_7 PER EX. 15'000.- SFR 10'235.- €  
GL1B\_1 TO GL1B\_7 PER EX. 12'000.- SFR 8'185.- €**

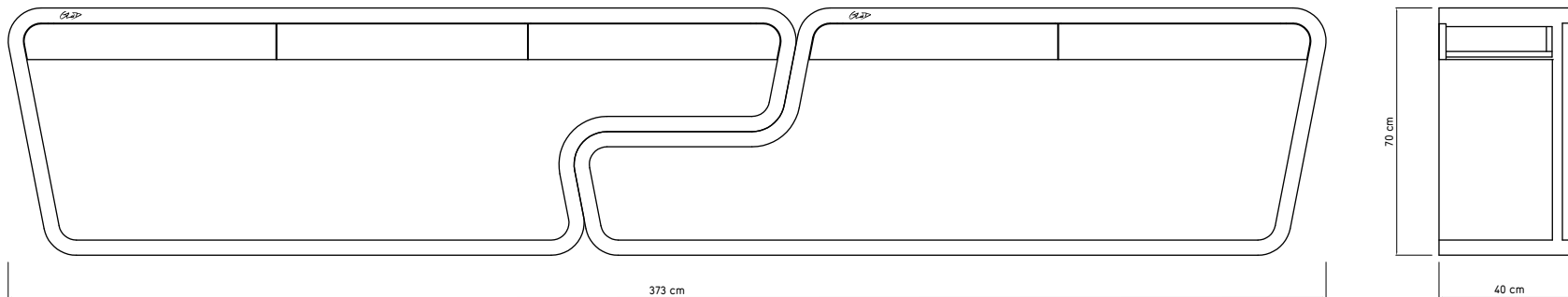


GL1A & GL1B

GLAD FURNITURE  
LIMITED EDITION  
BY GUY LAFRANCHI

GLAD

ELEGANCE  
INDIVIDUALITY  
PRECISION



**STARON® SOLID SURFACES CONSIST OF NATURAL MINERALS BONDED BY ACRYLICS,  
AS DECORATIVE AS NATURAL STONE WITH THE BENEFITS OF A SOLID SURFACE.**

**RESISTANT AGAINST FLUIDS, DIRT, BACTERIA, MOULD, GERMS  
RESISTANT TO IMPACT, STAINS AND DISCOLOURATION  
IMPERMEABLE, SEAMLESS AND EXTREMELY HYGIENIC  
HOMOGENOUS ADHESIVE JOINS VIRTUALLY INVISIBLE  
EASY TO CLEAN AND MAINTAIN  
DURABLE AND LONG-LIVED  
NON-FLAMMABLE  
EASY TO REPAIR**

**GL1A\_1 TO GL1A\_7 PER EX. 15'000.- SFR 10'235.- €  
GL1B\_1 TO GL1B\_7 PER EX. 12'000.- SFR 8'185.- €**